

1105721

SYNTESI 250 R 230V 50HZ OMOL

3209547_1105721_R21W - R21W (25/3/2024)



Access Platform Division

Via San Francesco d'Assisi, 8 - 46020 Pegognaga (Mantova) - ITALY Tel. +39 0376
554011 - Fax +39 0376 559855

www.imergroup.com

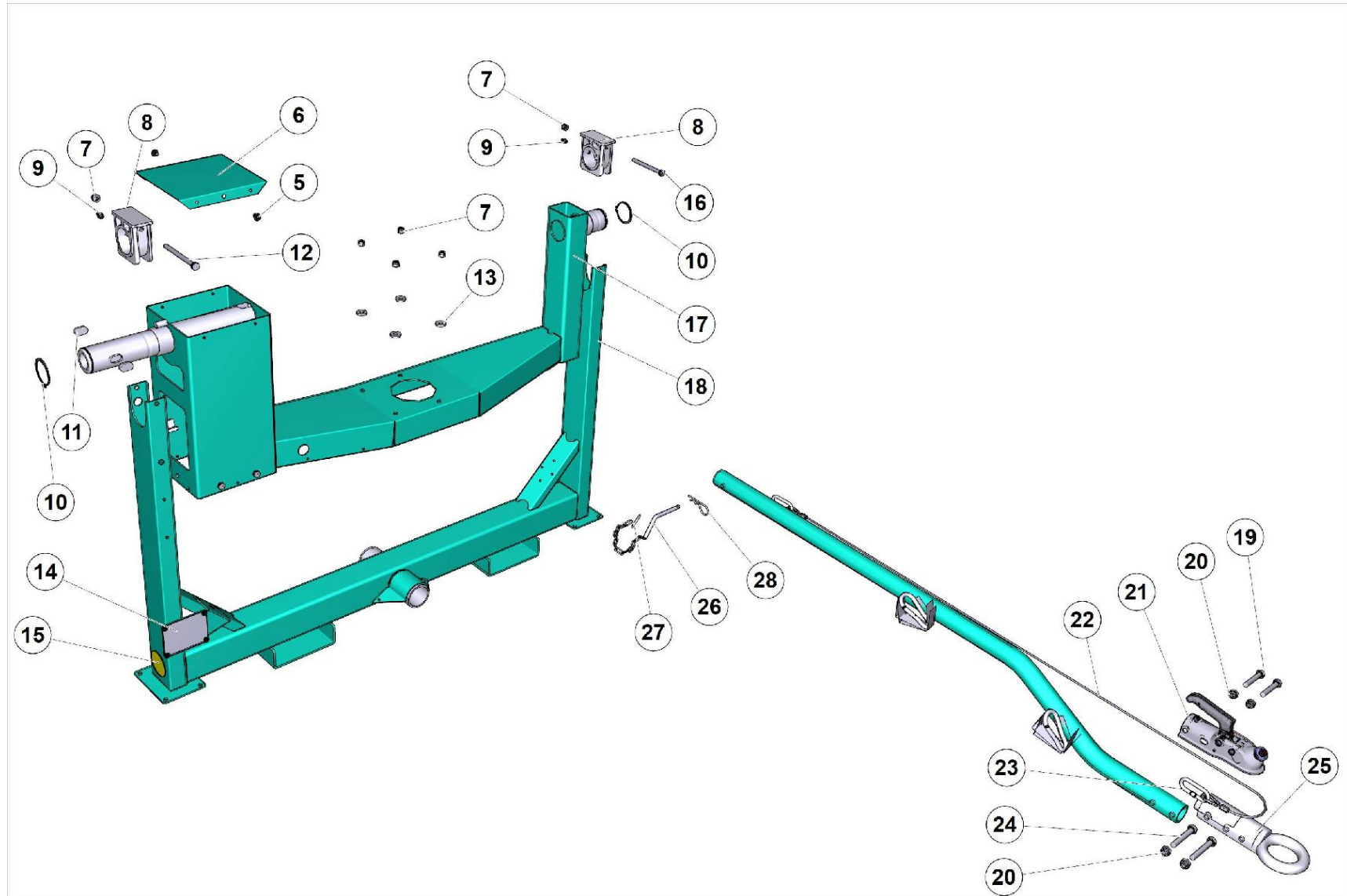
Building Equipment Division

Via della Meccanica, 39 (Zona Industriale Sentino) - 53040 Rapolano Terme
(Siena) - ITALY - Tel. +39 0577 97341 - Fax +39 0577 704077

www.imergroup.com

www.imerglobalcustomercare.com

UPPER FRAME



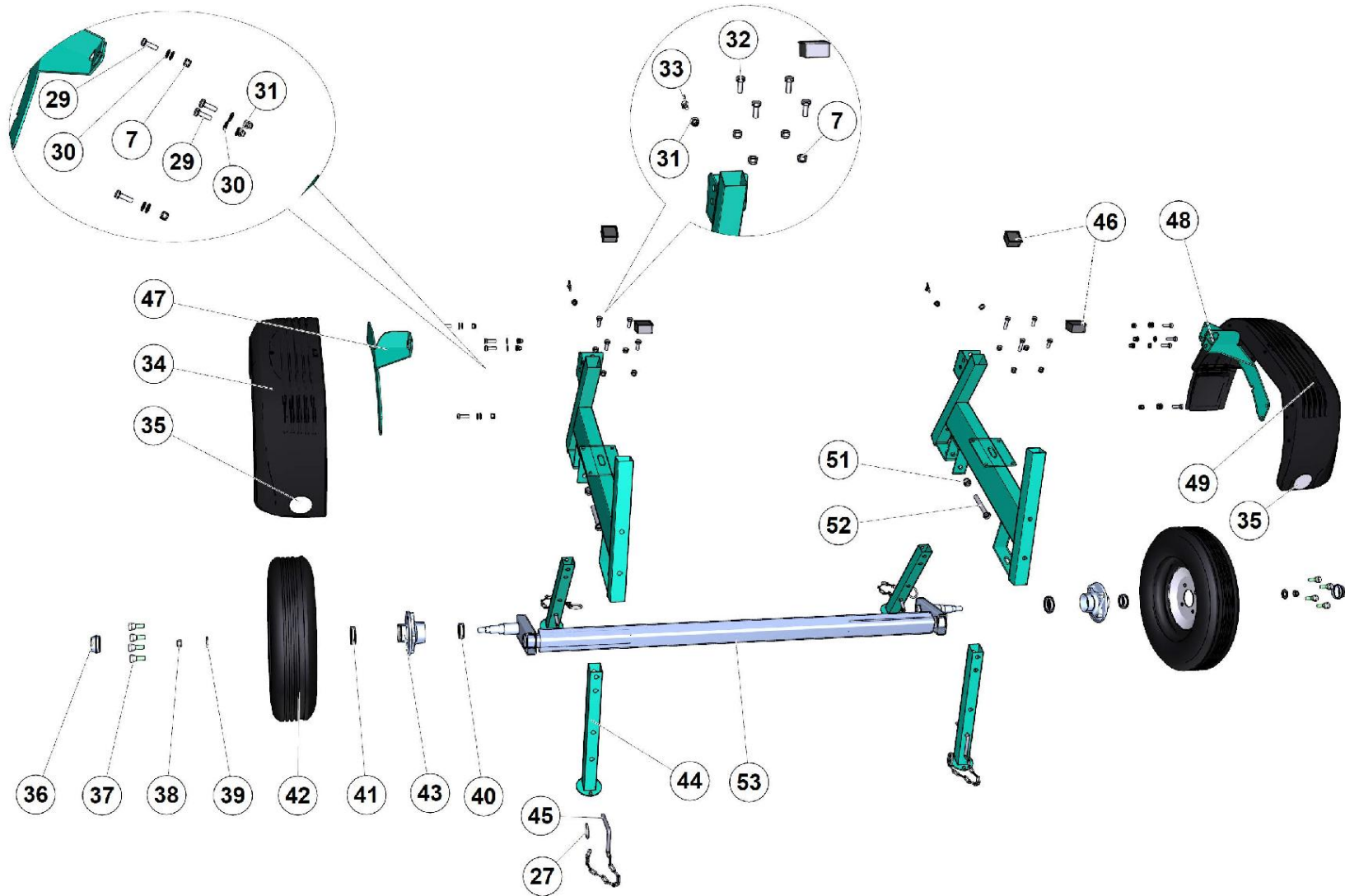


N.	CODE	DESCRIPTION	UM	QTY
5	3211175	ALUMINUM RIVET 4.8X16 T16	PZ	2.0
6	3228746	ARM LOCK	PZ	1.0
7	2223923	LOCK NUT	PZ	5.0
8	3208792	BLOCK SUPPORT/CONC.MIXER	PZ	2.0
9	2230350	Grease nipple	PZ	2.0
10	2227205	STOP RING	PZ	2.0
11	3208776	PIN	PZ	2.0
12	2222112	SCREW	PZ	1.0
13	3203917	WASHER	PZ	4.0
14	3233403	EUROPEAN APPROVAL PLATE SYNTESI 250E		1.0
15	3209961	REFLECTOR YELLOW COLOUR	PZ	1.0
16	2222114	SCREW	PZ	1.0
17	3208782	Arm	PZ	1.0
18	3209169	CRADLE	PZ	1.0
19	2222008	SCREW	PZ	2.0
20	2223921	NUT	PZ	4.0
21	1169258	Kit Hitch ball S250 draw-bar		1.0
22	3209859	CABLE	PZ	1.0
23	3209586	HANDLE	PZ	1.0
24	2222049	SCREW	PZ	2.0
25	3210632	TOWING	PZ	1.0



N.	CODE	DESCRIPTION	UM	QTY
26	3209587	Pin	PZ	1.0
27	2227048	CLIP/CONC.MIXER	PZ	2.0
28	2226700	SPLIT PIN	PZ	1.0

LOWER FRAME



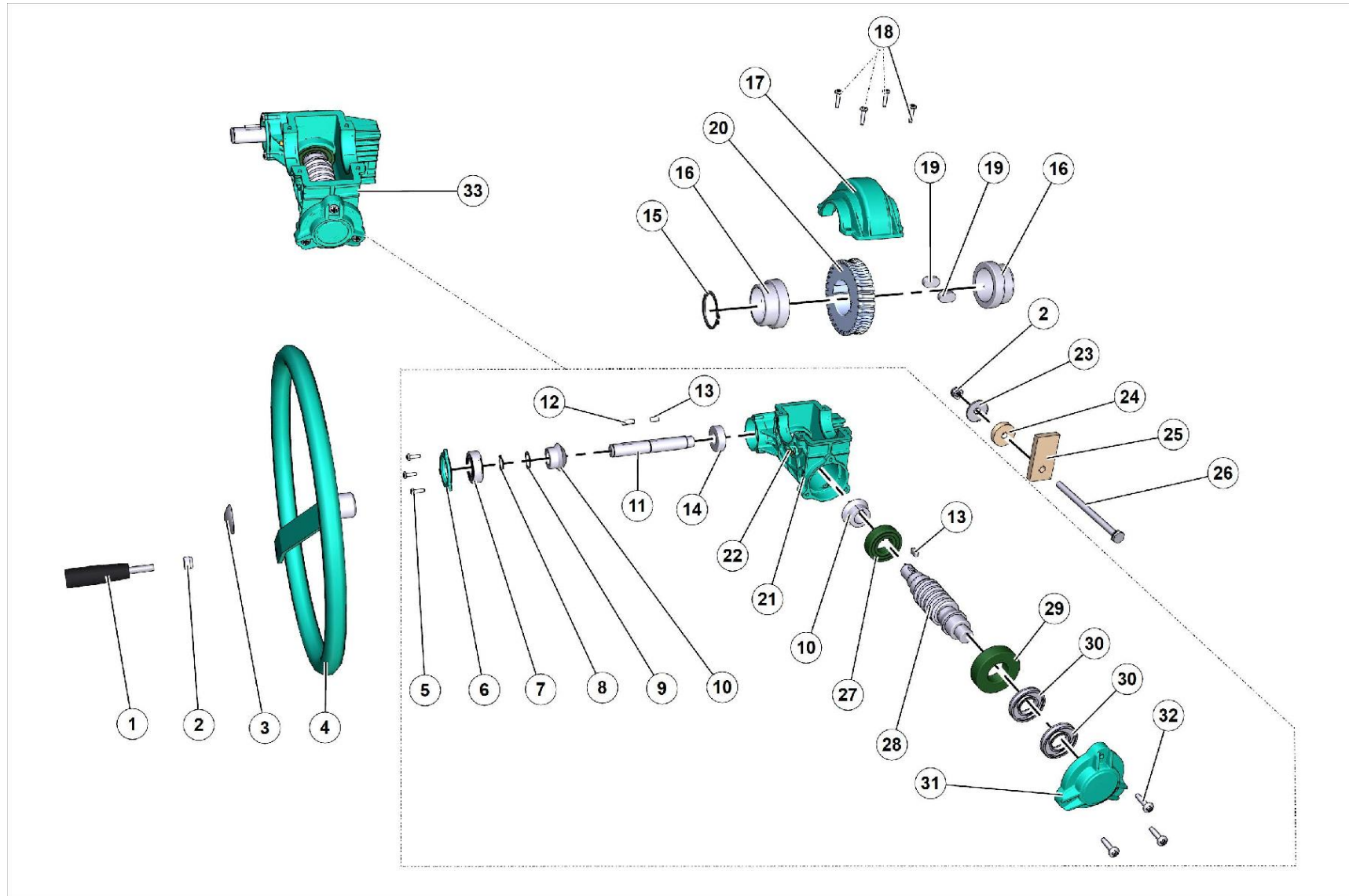


N.	CODE	DESCRIPTION	UM	QTY
7	2223923	LOCK NUT	PZ	8.0
27	2227048	CLIP/CONC.MIXER	PZ	4.0
29	2222076	SCREW/SAW	PZ	8.0
30	2224140	ROLLER 6593	PZ	16.0
31	2224005	THREADED INSERT M8*9418-2822*	PZ	8.0
32	2222060	SCREW	PZ	8.0
33	2223018	WINGS SCREW 5449 8X20Z	PZ	2.0
34	3236390	RIGHT MUDGUARD IN PLASTIC CONCRETE MIXER	PZ	1.0
35	3209960	REFLECTOR WHITE COLOUR	PZ	2.0
36	3238789	NUT COVER ALKO CHASSIS	PZ	2.0
37	3234146	COLUMN M12X1.5 X AL-KO HUB	PZ	8.0
38	3236427	NUT DIN 934 M16 FOR AL-KO FRAME	PZ	2.0
39	2224640	WASHER	PZ	2.0
40	2204560	Bearing	PZ	2.0
41	3210629	ROLLER/SAW	PZ	2.0
42	2211407	WHEEL/CONC.MIXER	PZ	2.0
43	3236429	COMPLETE HUB AL-KO FRAME 98x4 M12x1.5	PZ	2.0
44	3208885	FOOT	PZ	4.0
45	3208587	Pin	PZ	4.0
46	3201015	Terminal	PZ	4.0
47	3236392	RIGHT FENDER SUPPORT BRACKET S250E PAINT	PZ	1.0



N.	CODE	DESCRIPTION	UM	QTY
48	3236394	PAINTED LEFT S250E MUDGUARD SUPPORT BRAC	PZ	1.0
49	3236391	LEFT MUDGUARD IN PLASTIC CONCRETE MIXER-	PZ	1.0
51	3207392	NUT/MN	PZ	2.0
52	2222085	SCREW	PZ	2.0
53	3236407	WHEEL	PZ	1.0

DRUM REDUCTION UNIT



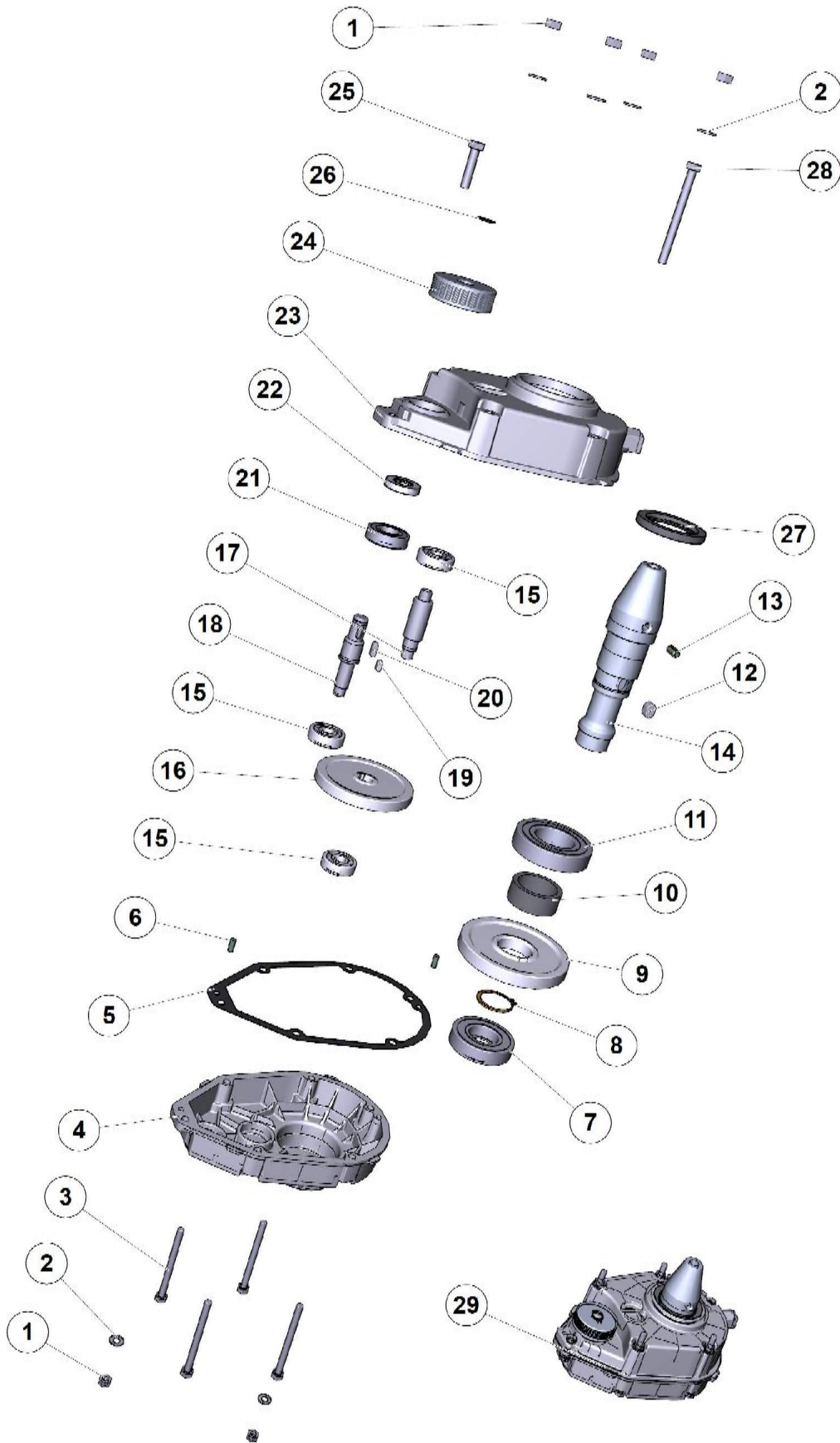


N.	CODE	DESCRIPTION	UM	QTY
1	3206748	HANDLE	PZ	1.0
2	2223920	SELF-LOCKING NUT	PZ	2.0
3	3234355	STOP RING TYPE Z WITH D.20 STAINLESS STE	PZ	1.0
4	3228750	HANDWHEEL SYNTESI	PZ	1.0
5	2222465	SCREW	PZ	3.0
6	3234642	PAINTED SYNTESI STEERING WHEEL SIDE COVE	PZ	1.0
7	2204560	Bearing	PZ	1.0
8	2227320	CIRCLIP	PZ	1.0
9	3227876	WASHER	PZ	1.0
10	3213264	PINION/CONC.MIXER	PZ	2.0
11	3208771	SHAFT/CONC.MIXER	PZ	1.0
12	2229300	KEY/CONC.MIXER	PZ	1.0
13	2229259	KEY	PZ	2.0
14	3232764	Bearing	PZ	1.0
15	2227205	STOP RING	PZ	1.0
16	3208770	PIN	PZ	2.0
17	3234640	DIE-CAST PAINTED SYNTESI TIPPING COVER	PZ	1.0
18	2222467	SCREW	PZ	4.0
19	3208776	PIN	PZ	2.0
20	3208773	GEAR WHEEL/CONC.MIXER	PZ	1.0
21	3234639	PAINTED SYNTESI TIPPING CARCASE	PZ	1.0



N.	CODE	DESCRIPTION	UM	QTY
22	2230350	Grease nipple	PZ	1.0
23	2224220	WASHER	PZ	1.0
24	3208790	SHOCK ABSORBER/CONC.MIXER	PZ	1.0
25	3208789	Damper	PZ	1.0
26	3210606	SCREW	PZ	1.0
27	2204540	Bearing	PZ	1.0
28	3213893	WORM GEAR	PZ	1.0
29	3237097	BEARING 6206 2RS	PZ	1.0
30	3213811	STOP RING	PZ	2.0
31	3234641	DIE-CAST PAINTED SYNTESI TIPPING COVER	PZ	1.0
32	3209987	SCREW	PZ	3.0
33	3209786	TILTING DRUM GEARBOX/CONC.MIXER	PZ	1.0

GEAR BOX



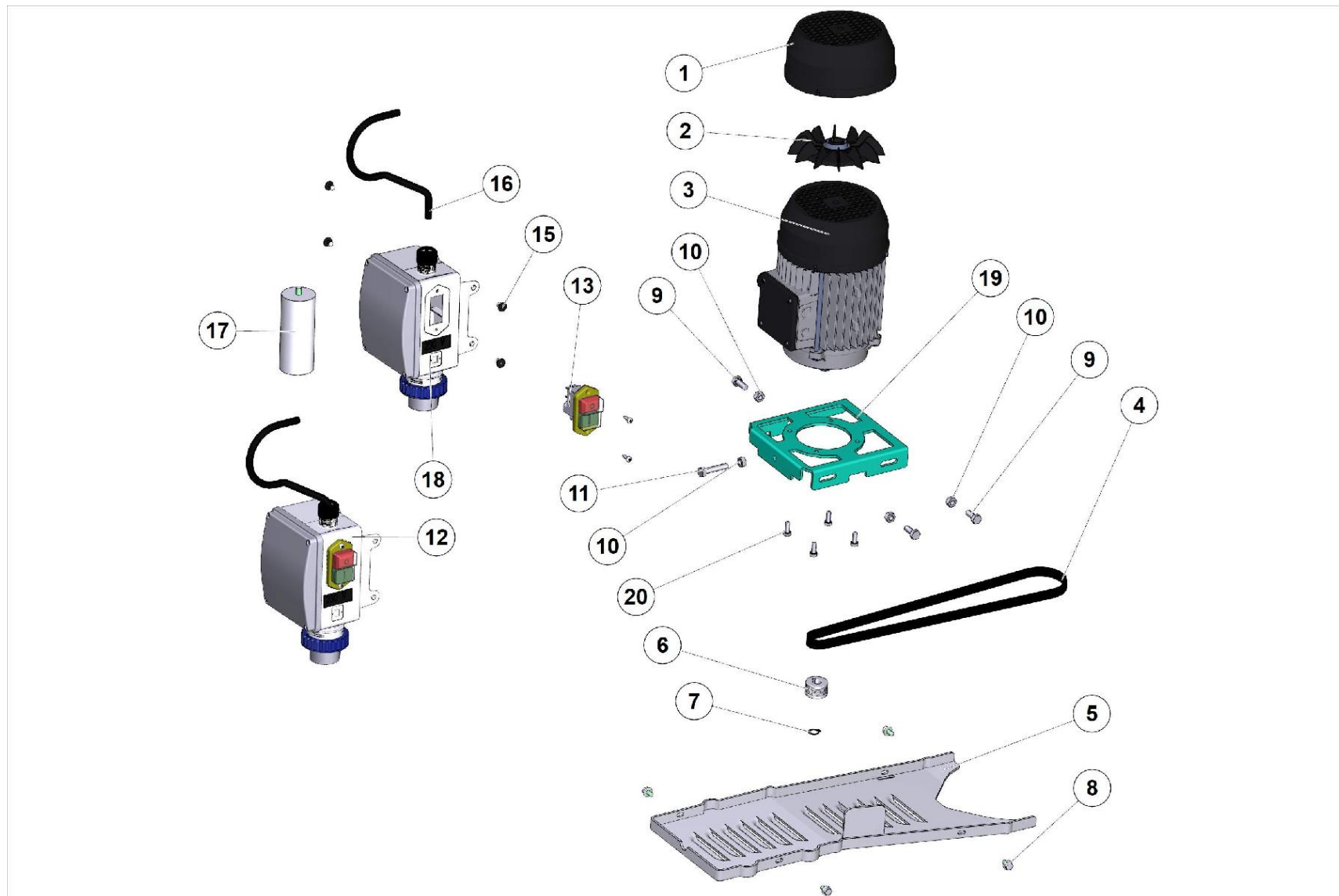


N.	CODE	DESCRIPTION	UM	QTY
1	2223570	NUT	PZ	6.0
2	2224140	ROLLER 6593	PZ	6.0
3	3227517		PZ	4.0
4	3209680L	REDUCTION GEAR CASING	PZ	1.0
5	3213887	GASKET	PZ	1.0
6	2228820	Gudgeon pin	PZ	2.0
7	3213898	Bearing	PZ	1.0
8	2227220	STOP RING	PZ	1.0
9	3208756	GEAR WHEEL	PZ	1.0
10	3208752	SPACER	PZ	1.0
11	3213899	BEARING/MN	PZ	1.0
12	3213897	KEY	PZ	1.0
13	2228360	PIN	PZ	1.0
14	3208748	SHAFT	PZ	1.0
15	3209679	Bearing	PZ	3.0
16	2202493	GEAR WHEEL/MN	PZ	1.0
17	3208754	PINION	PZ	1.0
18	3209770	SHAFT	PZ	1.0
19	2229249	KEY	PZ	1.0
20	2229250	KEY	PZ	1.0
21	2204440	Bearing	PZ	1.0



N.	CODE	DESCRIPTION	UM	QTY
22	3200094	OIL SEAL/CONC.MIXER	PZ	1.0
23	3209681L	Flange	PZ	1.0
24	3208762	PULLEY	PZ	1.0
25	2222018	SCREW	PZ	1.0
26	1227330	STOP RING	PZ	1.0
27	3213896	SEAL	PZ	1.0
28	2222114	SCREW	PZ	1.0
29	3208746	Reduction gear	PZ	1.0

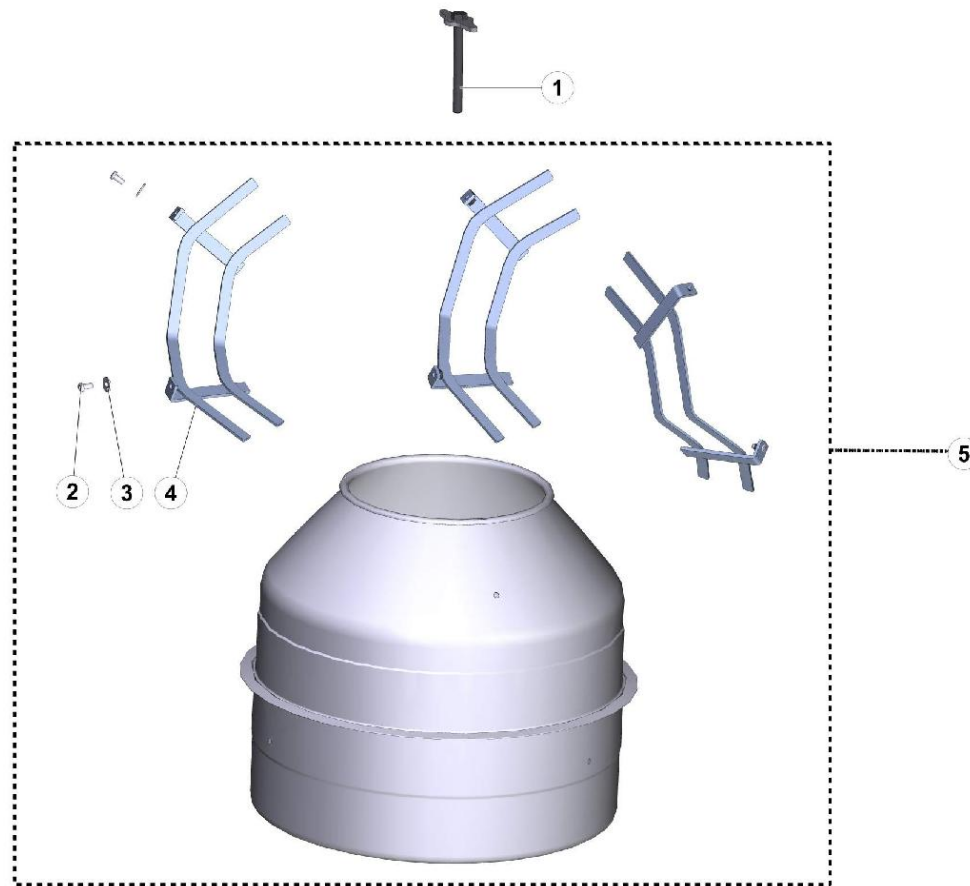
MOTOR ELECTRIC PANEL





N.	CODE	DESCRIPTION	UM	QTY
1	3233812	SY 190/250 ENGINE FAN COVER MEC-71 PLAST	PZ	1.0
2	3226240	FAN	PZ	1.0
3	3234487	ELECTRIC MOTOR KW1 S.190-250 230/240V50	PZ	1.0
4	3208791	BELT/CONC.MIXER	PZ	1.0
5	3208795	Guard	PZ	1.0
6	3208828	PULLEY/CONC.MIXER	PZ	1.0
7	2227214	STOP RING	PZ	1.0
8	3225750	BOLT/SAW	PZ	4.0
9	2222060	SCREW	PZ	3.0
10	2223570	NUT	PZ	4.0
11	2222190	SCREW	PZ	1.0
12	3229075	ELECTRIC PANEL S 190-250 230V50	PZ	1.0
13	3209337	SWITCH	PZ	1.0
15	3211175	ALUMINUM RIVET 4.8X16 T16	PZ	4.0
16	3226030	ELECTRICAL CABLE 230V 1,5 S190-350	PZ	1.0
17	3229078	CAPACITOR MF35V450	PZ	1.0
18	3228752	BOX	PZ	1.0
19	3208804	SUPPORT	PZ	1.0
20	2222002	SCREW	PZ	4.0

DRUM





N.	CODE	DESCRIPTION	UM	QTY
1	3301370		PZ	1.0
2	3231552	SCREW TBEI 10.9 7380 12X25 ZN	PZ	6.0
3	3201698	WASHER	PZ	6.0
4	2250087	Mixing blade	PZ	3.0
5	3208811	DRUM / SYNTESI 250	PZ	1.0



Access Platform Division

Via San Francesco d'Assisi, 8 - 46020 Pegognaga (Mantova) - ITALY Tel. +39 0376
554011 - Fax +39 0376 559855

www.imergroup.com

Building Equipment Division

Via della Meccanica, 39 (Zona Industriale Sentino) - 53040 Rapolano Terme
(Siena) - ITALY - Tel. +39 0577 97341 - Fax +39 0577 704077

www.imergroup.com